

PRODUCT INFO Heatit Z-Water

FEATURES

- Regulator for waterbased heating systems
- Relay outputs can control actuators in a waterbased floor heating system
- May be used to control both 24V actuators and 230VAC actuators
- May be used with a Heatit Z-Temp2 or Heatit Z-TRM3 thermostat in each zone
- DIN-rail mounting
- Works as a Z-Wave repeater to improve the Z-Wave network range
- Firmware update (OTA)
- Supports encryption mode: S0, S2 Authenticated Class, S2 Unauthenticated Class

This product is a security-enabled Z-Wave Plus product with encryption. The product must be used with a security-enabled Z-Wave Controller in order to fully utilize the product.

TECHNICAL DATA

Protocol	Z-Wave
Chip	Z-Wave 500 chip
Rated voltage	100VAC - 240VAC 50/60Hz
Power consumption	0.6W standby
Ambient temperature	5°C to 40°C
Humidity	Max. 90% RH
Fuse	3.15A Quick-Acting, UMF 250 Schurter Inc., part no.: 3405.0171.11
24V DC output	Maximum 1.17A, 28W
Max. switching current	5A
Max load per relay	150W
Max voltage	250VAC 30VDC
Inputs	Max. input voltage: 10VDC Input impedance: 10 KΩ Loop output voltage: 5VDC
IP Code	IP 21
Size (LxHxW)	160 x 86 x 58mm

Approvals Z-Wave Plus, CE
EN 50491-3: 2009, EN 60669-2: 2004, EMC 2014/30/EU,
RoHS 2011/65/EU, LVD 2014/35/EU

MAINTENANCE

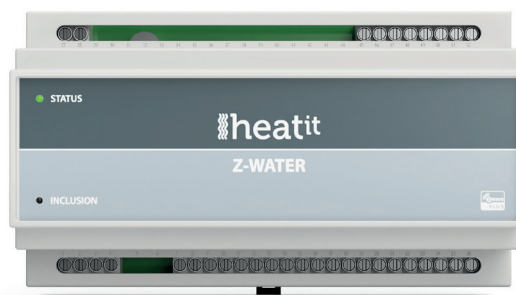
The device is maintenance-free

WARRANTY

2 years

HEATIT Z-WATER

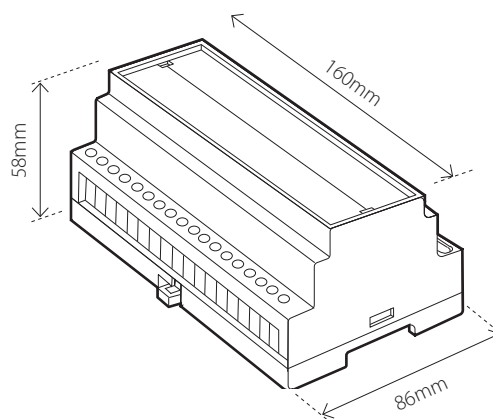
- Regulator for waterbased heating systems



Heatit Z-Water is a DIN-rail regulator for controlling waterbased heating systems. The module clips right onto a DIN-rail to add a variety of functions to your wireless Z-Wave network. Heatit Z-Water is equipped with 10 relay outputs and it has 4 analog inputs.

The module is power supplied from a 230VAC mains connection and is able to deliver an output supply of 24VDC or 230VAC. Heatit Z-Water relay outputs may be freely controlled from the Z-Wave network, and may be used for several purposes, e.g. on/off control of lights, controlling valve actuators in an underfloor heating system, or controlling other home automation systems.

Should not be placed in steel cabinets as this will reduce the range.



ART. NO.	PRODUCT	FREQUENCY
45 124 75	Heatit Z-Water regulator	EU 868,4MHz
45 126 66	Heatit Z-Temp2 thermostat Battery White RAL 9003	EU 868,4MHz
54 305 99	Heatit Z-TRM3 thermostat 3600W 16A White RAL 9003	EU 868,4MHz

The product is also available in other Z-Wave frequency versions on request.

Product specifications may change without further notice. All electrical installations must be carried out by a licensed electrician. The product must be installed in accordance with national building codes and our installers manual.