

HEATIT Z-DIM

- Z-Wave rotary dimmer



14 444 44

HEATIT Z-DIM
White RAL 9003



14 444 46

HEATIT Z-DIM PLASTIC KIT
Black

Heatit Z-Dim is a Z-Wave rotary dimmer for many different types of light sources. The Heatit Z-Dim works on low loads without causing the lights to flicker. It dims LED-bulbs from 1-200VA, 230V halogen- and incandescent bulbs, dimmable LED-drivers and electronic transformers. L+N leads must be connected.

The dimmer is equipped with a multiway switching option. This allows you to light and dim a light source from one dimmer, and later turn it off with another switch. Very practical for stairwells, long hallways, etc.

The dimmer fits into System 55 frames.

PRODUCT INFO Heatit Z-Dim

FEATURES

- Z-Wave rotary dimmer
- Scene Controller
- Dims:
 - LED, 230V halogen, incandescent lightbulbs, dimmable LED-drivers, electronic transformers
- Starts at 1VA and dims up to 200VA LED
- Trailing edge
- Multiway switching option
- Electronic thermal cutoff with automatic reset
- Firmware update (OTA)
- Power metering
- Supports encryption mode: S0, S2 Authenticated Class, S2 Unauthenticated Class

This product is a security-enabled Z-Wave Plus product with encryption. The product must be used with a security-enabled Z-Wave Controller in order to fully utilize the product.

NB! DIMMING Lighting management may be challenging, and we recommend checking the compatibility of different light sources/ bulbs before installation.

TECHNICAL DATA

Protocol	Z-Wave
Chip	Z-Wave 500 chip
Rated voltage	230VAC 50Hz
Power	1VA - 200VA
Input current	0.9A
Controls	Push and rotary dimmer
Ambient temperature	5°C to 40°C
Range RF	Min. 40 meter
Connection	Max. 2.5mm ²
Flush mounting depth	15mm
IP Code	IP 20
Size (LxWxH)	84 x 84 x 43mm

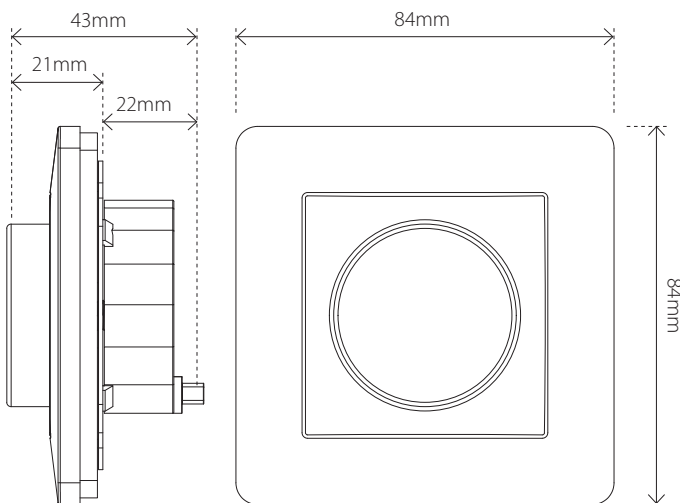
Approvals Z-Wave Plus, CE
 EN 55015/A2: 2009, EN 61547:2009, EN 61000-3-2/A2:2009, EN 61000-3-3:2008, EN 60669-2-1/A12:2010, EN 60669-1:A2:2008, EMC 2014/30/EU, RoHS 2011/65/EU, LVD 2014/35/EU

MAINTENANCE

The device is maintenance-free.

WARRANTY

2 years



ART. NO.	PRODUCT	COLOR	FREQUENCY
14 444 44	Heatit Z-Dim 200VA	White RAL 9003	EU 868,4MHz
99 304 45	Heatit Z-Dim 200VA	White RAL 9003	RUS 869,0MHz
99 304 46	Heatit Z-Dim 200VA	White RAL 9003	AUS 921,4MHz
14 444 46	Plastic kit for Heatit Z-Dim	Black	

The product is also available in other Z-Wave frequency versions on request.

Product specifications may change without further notice. All electrical installations must be carried out by a licensed electrician. The product must be installed in accordance with national building codes and our installers manual.

