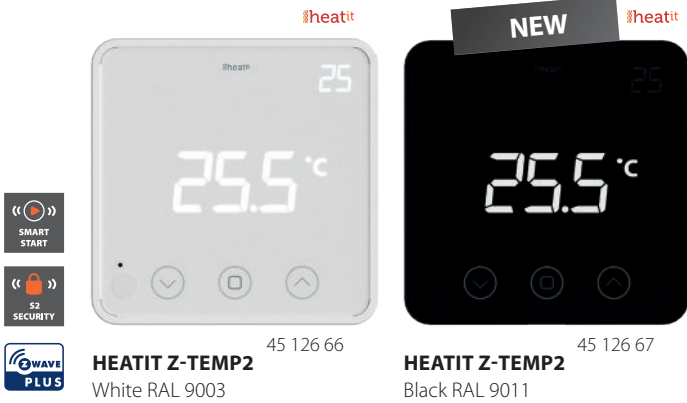


HEATIT Z-TEMP2

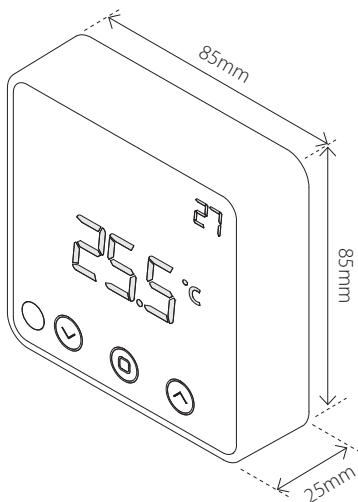
- Thermostat for waterbased heating



Heatit Z-Temp2 is a battery-operated thermostat designed for use with waterbased heating systems. Used in combination with the Heatit Z-Water you can control your heating system with a Z-Wave primary controller/gateway. This is a “wire-free” solution, saving both time and money. All communication between the Heatit Z-Temp2 and the controlled device is 100% wireless.

Heatit Z-Temp2 has SmartStart. This feature allows the user to include all devices with SmartStart by scanning the QR codes on the devices. On startup all the devices will automatically be included in the gateway (requires SmartStart compability). This saves the installer a lot of work.

Heatit Z-Temp may be associated with the Heatit Z-Relay or another Z-Wave relay in order to control many types of heating solutions. The Heatit Z-Temp2 is an excellent choice when restoring or remodeling existing buildings, as it is easy to install without any need for wiring. We recommend using several 230VAC units to strengthen the mesh network.



PRODUCT INFO Heatit Z-Temp2

FEATURES

- Z-Wave thermostat for controlling external relay
- Internal room sensor
- Humidity sensor
- Proximity sensor to turn on the display
- SmartStart
- Automatic brightness control
- Firmware update (OTA)
- Weekly program/setback via gateway
- 5 associations
- Lock mode/child lock
- Supports encryption modes S0, S2 Authenticated Class, S2 Unauthenticated Class

This product is a security-enabled Z-Wave Plus product with encryption. The product must be used with a security-enabled Z-Wave Controller in order to fully utilize the product.

TECHNICAL DATA

Protocol	Z-Wave
Chip	Z-Wave 700 chip
Rated voltage	3 x AA batteries (1.5V)
Ambient temperature	5°C to 40°C
Humidity	Max. 85% RH
Range RF	Min. 40 meters
Hysteresis	0.3°C to 3.0°C (default 0.5°C)
IP Code	IP 21
Size	85 x 85 x 25mm

Approvals	Z-Wave Plus V2, CE RED 2014/53/EU, ETSI EN 301 489-1 V2.2.3 (2019-11), ETSI EN 301 489-3 V2.1.1 (2019-03), ETSI EN 300 220-1 V3.1.1 (2017-02), ETSI EN 300 220-2 V3.2.1 (2018-06), EN 62479:2010, EN 62368-1:2014+A11:2017, RoHS 2011/65/EU
-----------	---

MAINTENANCE

The device is maintenance-free, but must never be covered.

WARRANTY

2 years

ART. NO.	PRODUCT	COLOR	FREQUENCY
45 126 66	Heatit Z-Temp2 thermostat Battery	White RAL 9003	EU 868,4MHz
45 126 67	Heatit Z-Temp2 thermostat Battery	Black RAL 9011	EU 868,4MHz
99 306 10	Heatit Z-Temp2 thermostat Battery	White RAL 9003	RU 869,0MHz
99 306 68	Heatit Z-Temp2 thermostat Battery	White RAL 9003	AUS 921,4MHz

The product is also available in other Z-Wave frequency versions on request.

Product specifications may change without further notice. All electrical installations must be carried out by a licensed electrician. The product must be installed in accordance with national building codes and our installers manual.